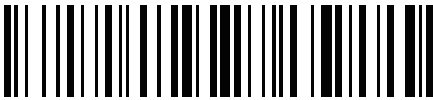


# Mini Bluetooth Barcode Scanner

## Quick Use Guide

- ▶ Outdoor 50 meters visibility distance wireless transmission
- ▶ Paired with various PC Bluetooth by one key
- ▶ Built in FLASH support continuous upload if disconnected
- ▶ Offline scanning barcodes can store more than 5000 barcodes
- ▶ Support normal mode, inventory mode, non-lost mode, and free to switch
- ▶ Support Windows XP, Win 7 Win8 / 10 system PC. Android devices, IOS



## 2 Match with Android, IOS system comes with Bluetooth-enabled PC or Terminal

1. Start the Bluetooth scanner and scan the HID mode



HID mode

2. Long press the button for 8 seconds to enter the Bluetooth search or scan the Bluetooth search setting code



Bluetooth Search Mode

3. Open the Bluetooth device, search for General Bluetooth, HID Barcode

4. Click on the Bluetooth device to enter the pairing state

5. The pairing succeeds. The Bluetooth scanner light is on

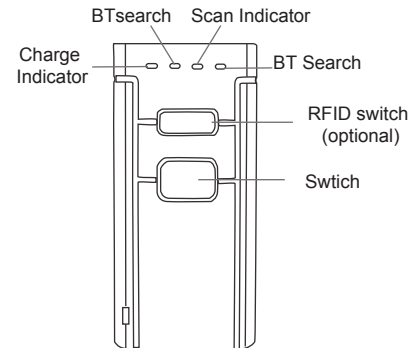
## 3 Android, IOS system keyboard to bring up or hidden

1. Bring out or hide ISO Keyboard

## 1 BT Barcode Scanner

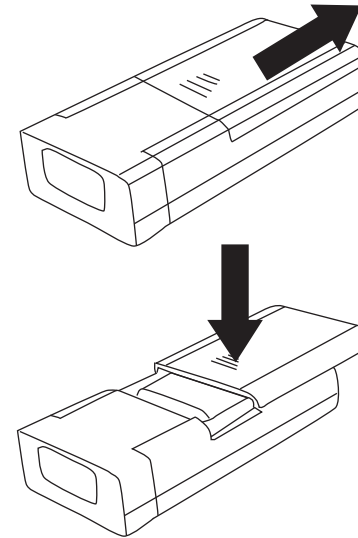
The scanner's high-performance processors and decoder board, with high accuracy and fast decoding recognition, efficient resistance to ambient light interference can easily read the bar code on a paper medium, commodities. High performance & high accuracy.

### Appearance



- ★ All kinds of decoding type
- ★ Body anti-shock and anti-drop design
- ★ Independent intellectual property rights
- ★ Extremely comfortable operation feel
- ★ Key lifetime up to 3 million times
- ★ Support for Bluetooth standard adapter without protocol
- ★ Wireless transmission
- ★ For outdoor 50 meters visual distance

### Battery



### Parameter

Decode Chip	ARM Cortex 32 bit
BT module	BLUETOOTH3.0 Module
Light	650nm LED
Barcodes	CODEBAR, CODE11, CODE93, UPC/EAN, Code128, UCC/EAN128, Code39, Code39FullMSI, ISBN, ISSN, Interleaved2 of5, China Post Code128, Full ASCII, ASCII, UPC/EAN
Precision	3.9mil
Scan speed	200/s
scan width	18CM
Scan mode	Bi-directional single line scan
Bar code minimum contrast reflection: coefficient	of not less than 20%
Bar code angle	① rotation angle: 1 +/- 30 degrees ② tilt angle: 2 +/- 45 degrees ③ Offset viewing angle: 3 +/- 60 degrees
Prompt mode	Buzzer, indicator light
Bluetooth coverage range	of 50 meters
Eeprom	512KB, storage bar code up to 5000 barcodes
batterycapacity	1000 mA large capacity battery

## 5 Three modes of operation

### 1. Normal mode

In normal mode, the scanned data is transmitted directly to the device via wireless. After the transmission is successful, the scanner will emit a low frequency short tone and the green indicator will flash once.

If the transmission fails, a 2-channel low-frequency tone is issued for the alarm.

In normal mode, if the transmission fails, the scanned bar code will be lost



Normal Mode

### 2. Inventory Mode

If the scanner is working beyond the Bluetooth range, it is recommended to use the inventory mode. In the inventory mode, the scanned data is stored in the internal memory of the scanner.

In the inventory mode, after scanning a bar code, the scanner will send a beep, while the green light flashes once, the scanned bar code is automatically stored to the scanner memory.



IOS key show hidden

2. double click scan button bring up or hide IOS keyboard



IOS keyboard double click show or hide

3. Android system keyboard to call up the contact vendor for Bluetooth Input Method APP

## 4 Paired with PC (Support XP, Win7, Win8, Win10)

1. Start the Bluetooth scanner, double-click the button to enter the pairing state or scan the SPP mode to enter the pairing state



SPP Mode

2. Insert the receiver  
3. hear a beep, automatic matching success, Bluetooth light on blue for long time



Inventory mode

Check the barcode stored in the inventory area by scanning the "Data Sum" barcode.



Data Sum

Upload the inventory data by scanning the "Data Upload" barcode. After the data is uploaded, the bar code stored in the scanner is not automatically deleted, and the user uploads the count data multiple times by scanning the "data upload".



Data upload

Note: When data upload, please try to ensure that the wireless signal connection is good

By clearing the "Clear Data" bar code to clear the bar code data in the inventory area, the bar code will not be able to be uploaded again. Please check whether the data has been uploaded before clearing.



Data clean

### 3. Non-lose Mode

In loss mode, if the scanner is connected properly, the scan data is immediately transferred to the computer. If the connection is interrupted, the scan data is placed in the inventory data. The bar code stored in the inventory data can be uploaded by scanning the "data upload" upload computer.



Non-lose mode

Note: It is recommended not to use inventory mode in case of unstable network may cause some risks.

### 6 Initialization of settings



Bluetooth initialization



Scan initialization

Note: Please use the initialization settings with caution

## 7 Sleep time Setting



Start to set



30s



60s



2 mins



sleep immediately



5 mins



10 mins



20 mins



Never Sleep

## 8 Language (English Default)



English



France



Germany



Italian



Russian

## 9 Version Info



Hardware version info



Software version info

## 10 Turn the tone on or off

Read "Tone off" to turn off all the tone.  
Read "Open Tone" that is open to all tone.



Tone off



Open Tone

## 11 LED light

LED color and description  
Green light and quickly extinguished:  
Successfully read the bar code, also issued short beeps  
Two blue lights flashing together:  
Enter the pattern, waiting for a terminal connected to the device  
A blue light flashes:  
Enter the pattern, waiting for a terminal connected to the device  
A steady blue light:  
Successful match and connect the device, while short beeps twice  
Red light: State of charge  
Flashing red: Battery connection is bad

## 12 Buzzer

Buzzer mode and description  
Blew two seconds:  
Bluetooth module initialization error, external EEPROM full  
3 sounding voice:  
Low battery, the battery voltage is lower than 3.2V  
Short beeps 20 times:  
External memory initialization error, external EEPROM read and write errors  
Short beeps 1:  
Upload Start upload OK, set the Start, Settings OK  
Short beeps twice:  
Power-OK, RF transmission OK (gun Bluetooth connection is successful)  
Short beeps 3 times:  
Bluetooth error (Bluetooth connection failed gun)  
Short beeps five times:  
Setting error, matching error

## Common Questions

- ▶ **1. What do do when bluetooth scanner and Android phone can not be connected?**  
-It can be connected directly if you make sure the phone is Android 3.0 and above.
- ▶ **2. Why part of the bar code can not be scanned?**  
-Because some of the barcodes which is not commonly used are set normally closed by factory default settings.-You just open the corresponding barcodes, then it's OK. If you do not know the phase, pls contact the manufacturer for bar code type
- ▶ **3. Why can not uploaded barcodes to a computer or phone?**
  1. Confirm whether it's successfully paired, if yes, bluetooth scanner LED is on blue
  2. Whether the inventory function is on (In inventory mode, the barcode will not be automatically uploaded and will need to be scanned manually.)
  3. Should be uploaded by barcode)
  4. Change to the normal mode, then you can scan while upload data to computer or mobile phone
- ▶ **4. How to do if can not find the Bluetooth scanner?**
  1. Make sure the Bluetooth scanner is on
  2. Make sure the Bluetooth scanner is in serial mode
  3. Make sure the Bluetooth scanner connection match mode is HID mode or SPP mode When the Bluetooth scanner is in the HID mode paired connection, the two blue indicators blink. When the Bluetooth scanner is in the SPP mode paired connection, a blue indicator flashes and needs to be used in the SPP test tool
- ▶ **5. Bluetooth scanner has been connected with the phone or computer, how to repair with the phone or computer?**
  1. In the computer's Bluetooth panel, select the paired Bluetooth scanner, click the "Delete" button (or cancel the paired Bluetooth device in your phone's Bluetooth)
  2. Set the Bluetooth scanner to bring the Bluetooth scanner into the pairing state (in either of the following ways)
    - (1) Turn on the Bluetooth scanner, long press for 8 seconds until the buzzer beeps 2 times, the bluetooth indicator (blue) flashes quickly
    - (2) The bar code "enters the pairing mode" and the indicator light (blue) flashes quickly
    3. Finally, how to do if follow above steps before re-plug the
- ▶ **6. Bluetooth adapter or restart the phone after Bluetooth can not automatically connected?**  
-To ensure of the cast that the computer or mobile phone and other Bluetooth devices are not connected, restart the Bluetooth scanner, then it can be connected
- ▶ **7. Why cannot connected to the device when converting from SPP mode to HID mode?**  
To confirm whether the device has been connected to the HID mode, if connected, please ignore the connected device name in the Bluetooth search device, re-paire connection
- ▶ **8. How to change more scan settings**  
-Please contact the manufacturer

## Free declaration

Responsibility for beyond our scope of natural disasters (such as: earthquakes, floods, etc.) caused by losses, the company does not undertake any responsibility.

In any case, for any loss associated with the use of this product and bring (in accordance with the instruction manual including loss resulting from the use of), such as: loss of profits, goodwill, business interruption, or loss/ change the stored data, etc. and so any special, incidental, consequential or indirect losses caused by the company does not undertake any responsibility. Loss due to improper use of non-specified by the Company's communications hardware or software caused, the Company does not assume any responsibility.

For by using the message of the product obtained, data, files, or other products and services, the company does not provide any form of guarantee and technical support, and for these messages, data, files, or other products and services to users, do not assume any responsibility.

For third-party software used in this product, the company does not undertake any form of guarantee and technical support responsibilities.

The contents of this manual in accordance with the "status quo" basis. Unless otherwise required by applicable law, the Company does not otherwise accuracy of this document, content and reliability make any kind, either express or implied warranty